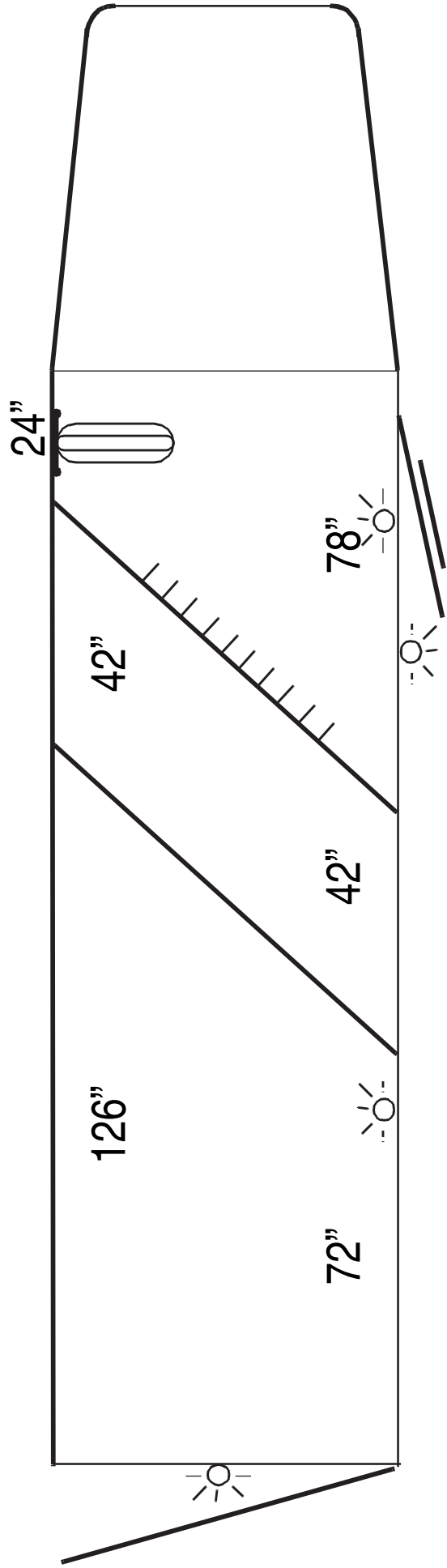




GC MODEL STOCK/COMBO



**16' GC MODEL STOCK/COMBO**