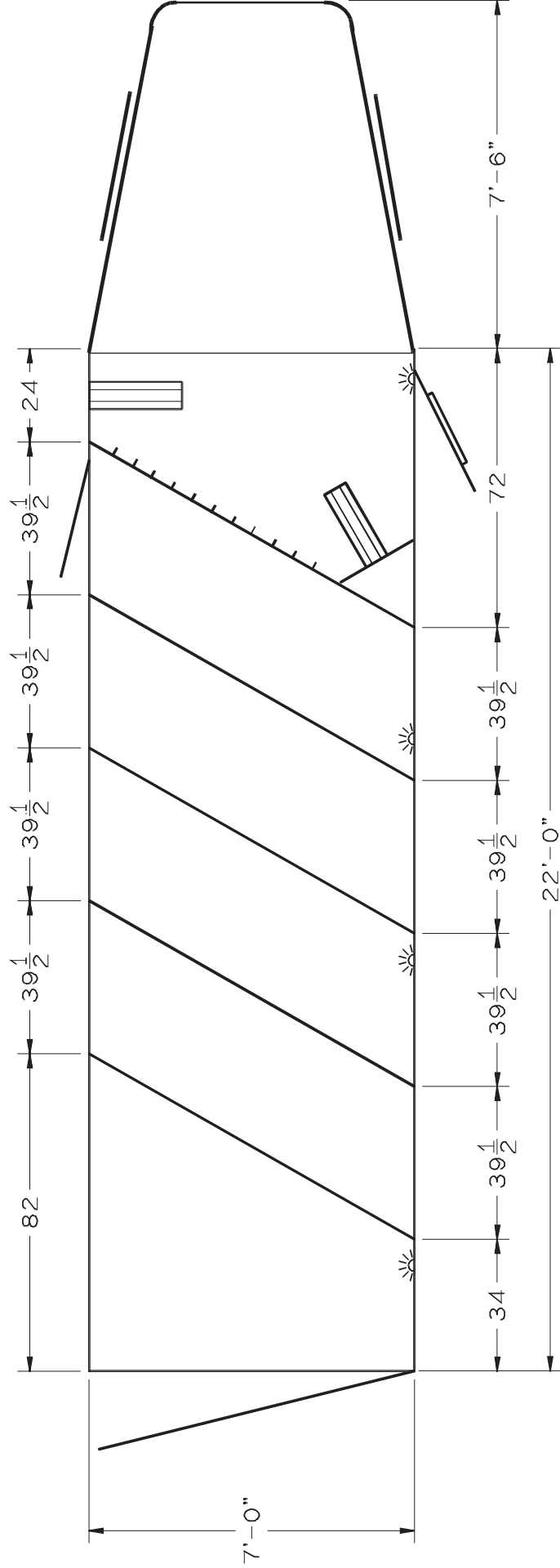




**STOCK/COMBO SLANT LOAD**  
**THREE, FOUR, FIVE, & SIX HORSE GOOSENECK**



**22 X 7 FIVE HORSE GOOSENECK**