

2-HORSE SLANT LOAD RUNABOUT BUMPER PULL



The Runabout platform was conceived as a ground up design for an entry-level bumper pull trailer whose goal was to provide our customers a world class trailer which is durable and safe, yet several hundred pounds lighter than other similarly sized trailers. Judging by the feedback from those who have purchased them, we reached our goal.

Much of the weight reduction is made possible by the design of the bottom rail. The 'Z' shaped design limits trailers to a maximum overall width of 6'-10" and maximum axle capacity of 7000lbs. We believe these minor limitations are worth the benefits of the weight reduction realized by the bottom rail's ability to be used in place of the steel box frame traditionally used to attach axles to trailers. When combined with an all aluminum coupler tongue, the result is the elimination of over 400 pounds of steel along with intrusive inner fenders and their associated frame work.

The original design of the Runabout was limited to bumper pull trailers. Due to the market success of those models, and requests from our 4-Star dealers, we expanded the line to include gooseneck models.

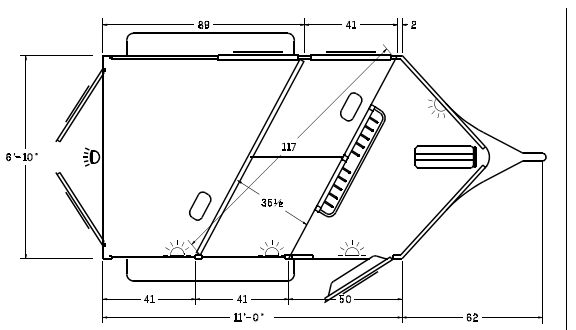
The Runabout trailers are solid performers for those who wish to experience 4-Star quality in an economical design that exemplifies what we've been saying for 3 decades: "Simply The Best Value."



- FLOOR MATS FULL LENGTH HORSE COMPARTMENT
 - PERM BULKHEAD WALL
 - DRESSING ROOM APPROXIMATELY 26½ SQ. FT.
 - DRESSING ROOM DOOR W/ WINDOW
 - CARPET ON DRESSING ROOM FLOOR
 - 1 HALF DIVIDER W/HEAD AND WITHERS SHIELD W/PADS AND HOLD BACK
 - PRE-MANUFACTURED DROP DOWN WINDOWS W/ BARS
 - HIP WINDOW FOR EACH HORSE
 - DOUBLE REAR DOORS 40/60 W/ WINDOW
 - 2 FEED BAGS
 - 2 SADDLE RACKS
 - 1 BLANKET BAR
 - 10 BRIDLE HOOKS
 - 2 BRUSH TRAYS
 - 2 INSIDE & 2 OUTSIDE TRAILER TIES PER SIDE
 - L.E.D. LIGHTING
 - HIGH TURN SIGNALS
 - 4 DOME LIGHTS
 - HALOGEN LOAD LIGHT
 - TWO WAY ROOF VENT PER HORSE
- POPULAR OPTIONS**
- FULL WIDTH REAR RAMP
 - PERM REAR TACK WALL
 - GRAVEL GUARD
 - CUSTOM GRAPHICS
 - 4-STAR MFR. DROP DOWN FEED DOORS
 - W.E.R.M. FLOOR
 - LUNA DOME VENT
 - 6'-0" HAY RACK

All 4-Star Trailers Come With Our

8 YEAR WARRANTY



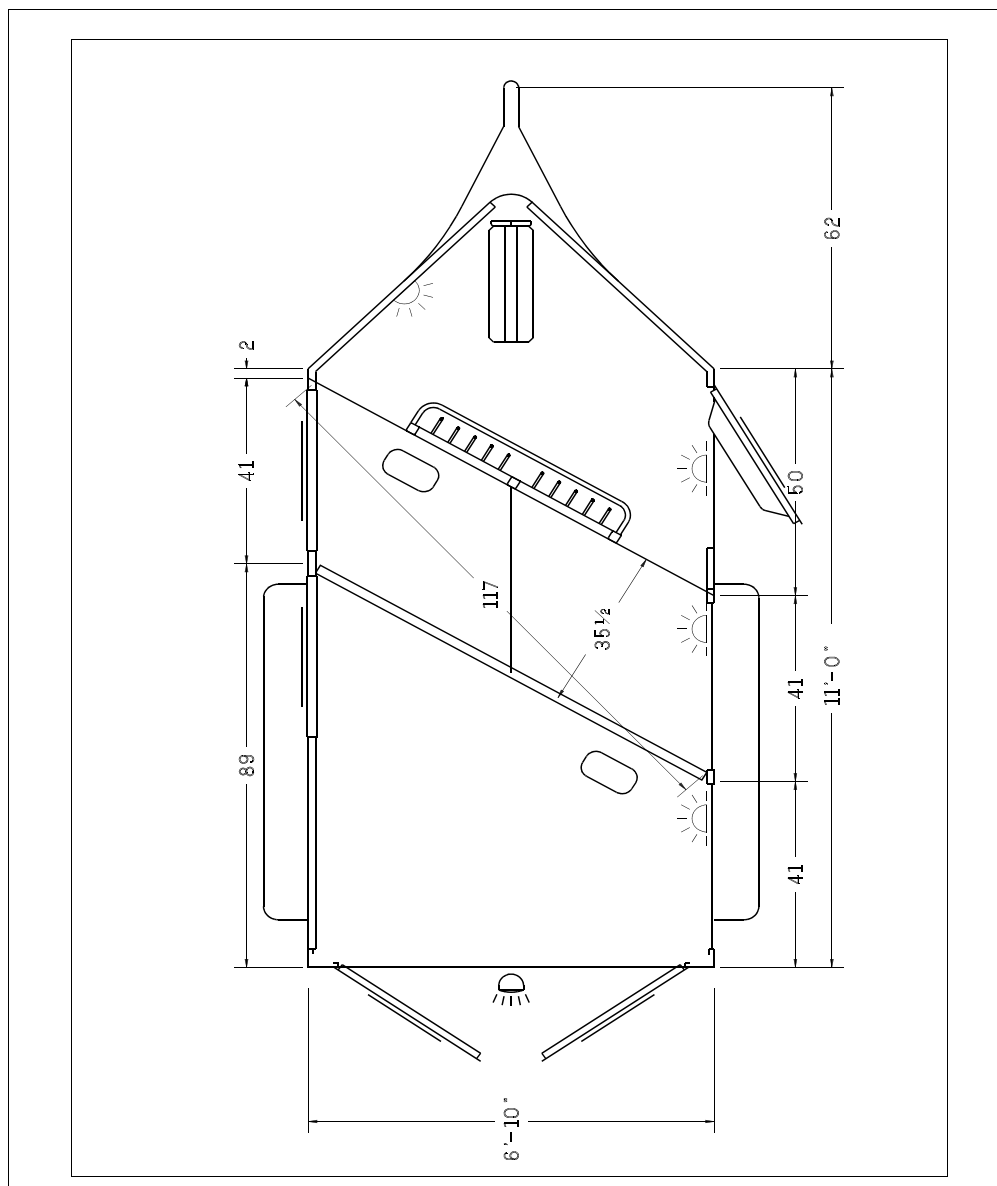
STANDARD FEATURES

- 11'-0" L x 7'-0" H x 6'-10" W
- 2 - 3500# TORSION AXLES W/ ELECTRIC BRAKES
- 2 5/16" COUPLER
- 5 BOLT HUBS
- FIVE 6 PLY RADIAL TRAILER TIRES
- 15" ALUMINUM WHEELS
- PRE-PAINTED WHITE EXTERIOR ON SMOOTH ALUMINUM
- POLISHED CAST CORNER CAP
- INSULATED & DOUBLE WALLED FULL LENGTH HORSE COMPARTMENT
- RUBBER LINED WALLS IN HORSE COMPARTMENT
- SMOOTH RIBBED ALUMINUM FLOOR



4-Star Trailers, Inc.
10,000 N.W. 10th St. Oklahoma City, Ok 73127
800-848-3095 • www.4startrailers.com
All dimensions are approximate. Photos may show options.

2-HORSE SLANT LOAD RUNABOUT BUMPER PULL



4-Star Trailers, Inc.
10,000 N.W. 10th St. Oklahoma City, Ok 73127
800-848-3095 • www.4startrailers.com
All dimensions are approximate. Photos may show options.