

2-HORSE SLANT LOAD

GOOSENECK



4-Star's slant load horse trailers lead the industry for durability, safety, and ease of use. Meticulous attention to detail during its all aluminum construction means years of reliable, worry free travel. Standard features include removable divider, collapsible rear tack wall, carpeted dressing room, and ample interior lighting in both the horse compartment and tack rooms. Our base model gooseneck slant load trailer is equipped for the average rider however, we understand that not everyone is average. Every 4-Star trailer may be customized to suit each individual's personal preference. From graphic packages and custom skin colors to custom stall sizes. From wheels to roof vents, we can build a trailer that is uniquely yours.



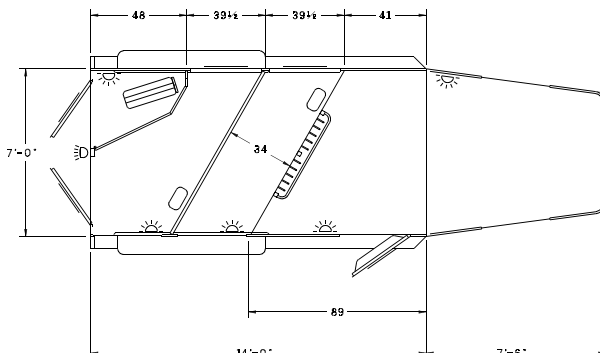
STANDARD FEATURES

- 14'-0" L x 7'-0" H x 7'-0" W
- 3500# Torsion Axles
- Electric Brakes
- 15" Aluminum Wheels
- 5 Six Ply Radial Trailer Tires
- 2 5/16" Adjustable Coupler
- Single Speed Drop Leg
- Removable Crank Handle
- Tapered Gooseneck w/Large Slider Windows
- Polished Cast Corner Caps
- Pre-painted White Exterior On Smooth Aluminum
- Front Dressing Room 50 Sq. Ft.
- Dressing Room Door W/ Window
- Carpet On Dressing Room Floor, Gooseneck Floor, And Drop
- Large Dropdown Feed Doors W/ Drop Down Window Bars
- Slider Window Each Stall On Hip Wall
- Double Rear Doors w/ Windows
- Permanent Bulkhead Wall
- Smooth Ribbed Aluminum Floor
- Floor Mats Full Length Horse Compartment
- Insulated & Double Walled - Head/Hip of Horse
- Rubber Lined Walls in Horse Compartment
- Rubber Wheel Wells
- Removable Half Divider w/ Pads & Holdback
- Two-Way Roof Vent Per Horse
- 2 Trailer Ties Per Horse - Inside & Outside
- Feed Bag Per Horse
- Butt Bar - Curbside Rear
- 5 Dome Lights

- Collapsible Rear Tack w/ Removable Post
- Saddle Rack Per Horse - Removable
- 10 Bridle Hooks
- 2 Brush Trays
- 1 Blanket Bar
- High Turn Signals
- Halogen Load Light
- L.E.D. Lighting
- D.O.T. Tape
- Custom Graphics

POPULAR OPTIONS

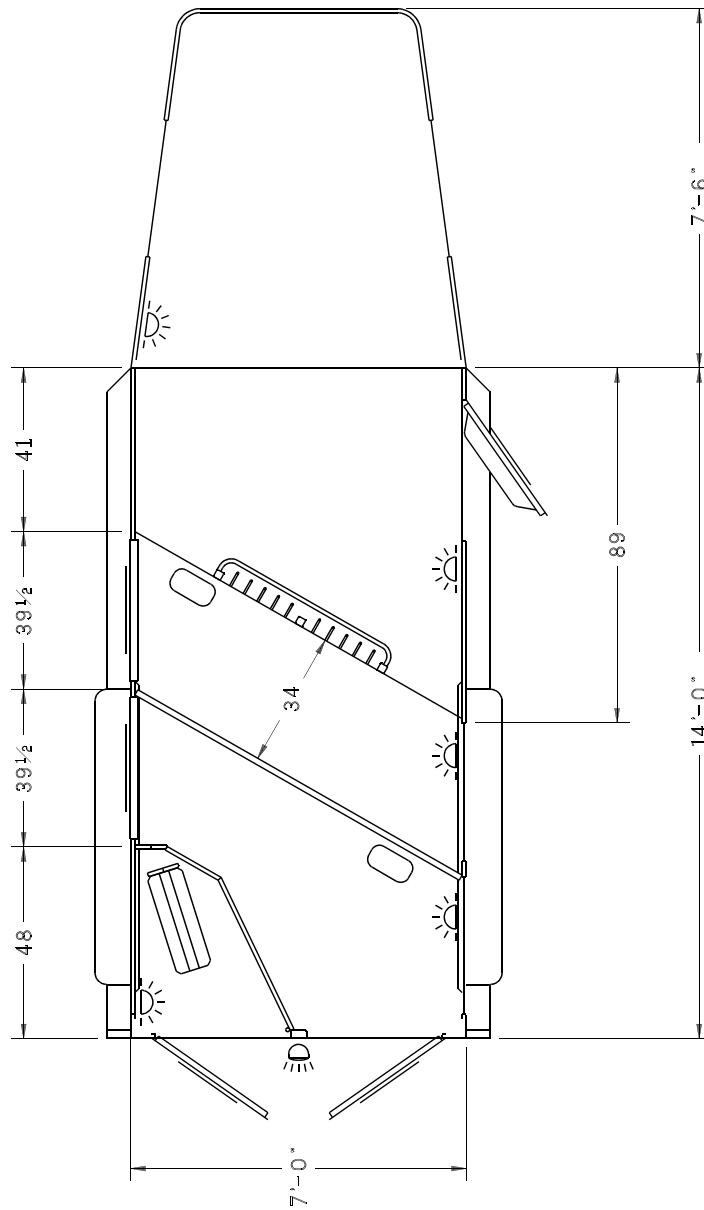
- A/C Brace
- Additional Height
- Additional Running Lights
- Aluminum Wheels
- Door In Bulkhead Wall
- Drop Down Doors On Hip
- Electric Hydraulic Brakes
- Feed Mangers
- Hayrack
- Lengths Up To 44'
- Widths Up To 8'-6"
- Outside Loading Lights
- Rear Ramp
- Stainless Steel On Nose
- WERM Flooring



4-Star Trailers, Inc.
 10,000 N.W. 10th St. Oklahoma City, Ok 73127
 800-848-3095 • www.4startrailers.com

All dimensions are approximate. Photos may show options.

2-HORSE SLANT LOAD GOOSENECK



4-Star Trailers, Inc.
10,000 N.W. 10th St. Oklahoma City, Ok 73127
800-848-3095 • www.4startrailers.com
All dimensions are approximate. Photos may show options.