

Stock Trailers

Bumper Pull



Our heavy duty stock trailers are built with exclusive features not found on other trailer brands: Non-sagging center gates with self-lubricating hinge bearings, enclosed hollow tube top rail, heavy duty rear gate with anti-rack hardware, among others, combine to provide years of trouble free hauling. Durable aluminum construction and wedge nose front end provide improved fuel mileage and reduced wind drag. When you're ready for a seriously rugged trailer, you're ready for a 4-Star Trailer!



Standard bumper pull stock trailers are available in lengths of 16'-0", 18'-0", and 20'-0" and widths of 6'-0", 7'-0", & 8'-0".

Custom lengths from 10'-0" to 22'-0" and widths from 6'-0" to 8'-6" may be ordered in 6" increments.

If you have special or unique requirements, our network of knowledgeable dealers will work with you and our staff to configure your trailer the way you want.

We are constantly striving to deliver trailers that meet or exceed our customer's expectations. Many of the standard features of our stock trailers are the result of listening to and incorporating your ideas into our models.

†Patent No. 8,801,051 B2

4-Star Trailers, Inc.
10,000 N.W. 10th St. Oklahoma City, Ok 73127
800-848-3095 • www.4startrailers.com
All dimensions are approximate. Photos may show options.

All 4-Star Trailers Come With Our

8 YEAR WARRANTY

STANDARD FEATURES

- 6'-6" Tall
- Wedge Nose Lined with .125 Aluminum
- Two - 7000# Torsion 102" Axles w/ Electric Brakes
- 96" Axles on 6'-0" Wide Trailer

- Five 10 Ply Radial Trailer Tires
- 16" Steel Wheels
- 8 Bolt Hubs
- 2 5/16" Coupler
- Pad Type Jack
- Polished Corner Cap
- Pre-Painted White Exterior on Smooth Aluminum
- Side Door-Curb-side-w/ Butterfly Latch
- Single Side Wall Construction w/ 2 Air Cracks
- Full Width Rear Door w/ Half Slider
- Anti-Rack Hardware on Rear Door
- Rubber Dock Bumper
- Fully Enclosed Tail Light Gusset
- 4" I-Beams Crossmembers on 9' 8" Centers
- Tread Plate Floor - Corrugated or Flat Ribbed
- Full Width Center Partition
- Outside Release Slam Latch†
- High Turn Signals
- L.E.D. Lighting
- D.O.T. Tape
- One Dome Light

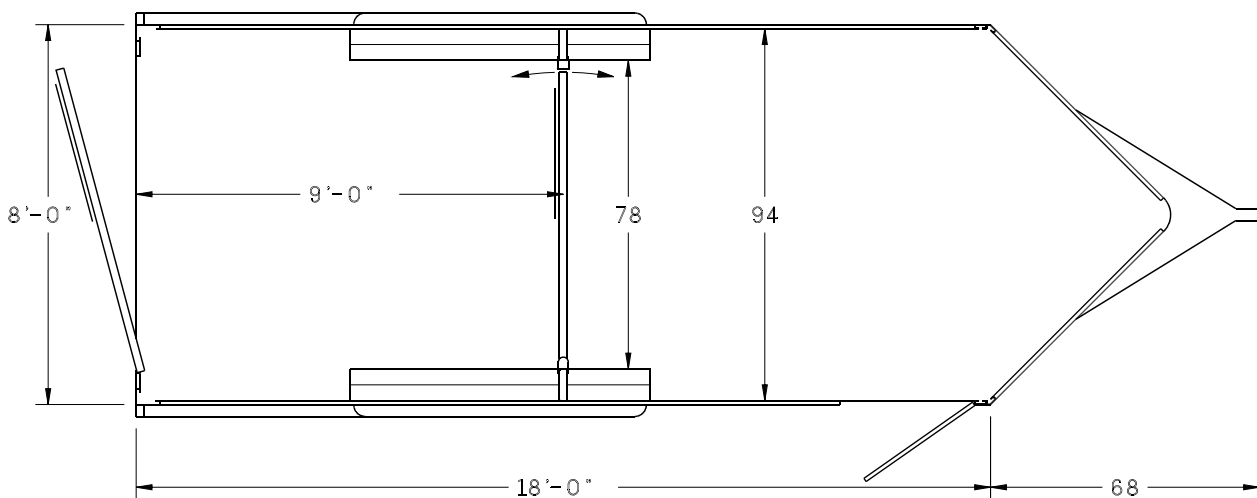
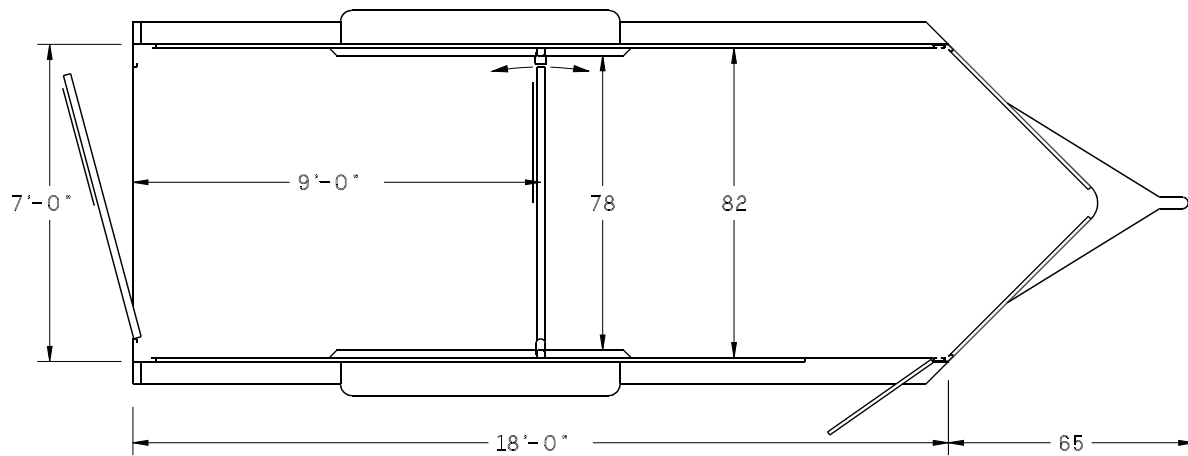
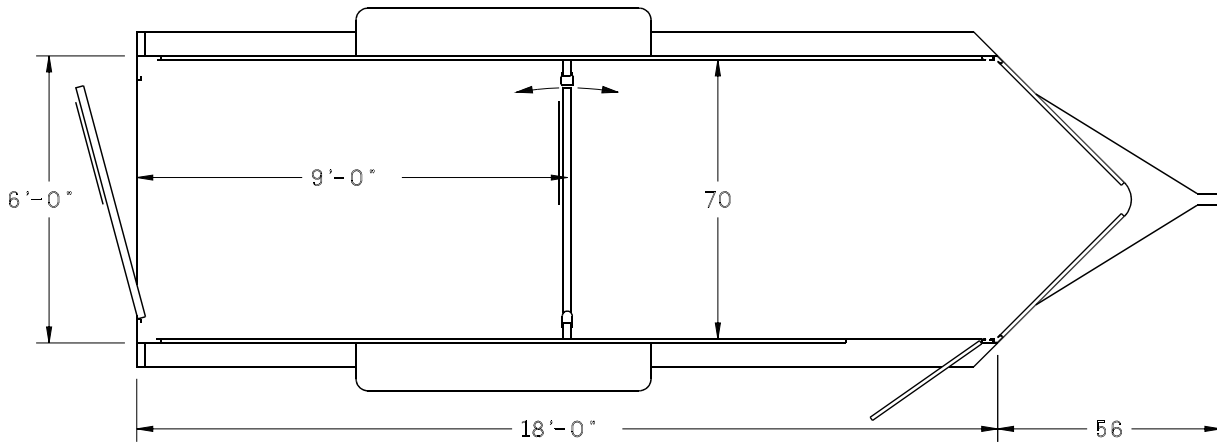
POPULAR OPTIONS

- Additional Height, Length, Width
- Additional Gates
- Pig/Sheep Stalls
- Removable Plexi-Glas® Air Crack Covers
- Hay Rack
- Polished Slats
- Load Lights



Stock Trailers

Bumper Pull



4-Star Trailers, Inc.
10,000 N.W. 10th St. Oklahoma City, Ok 73127
800-848-3095 • www.4startrailers.com
All dimensions are approximate. Photos may show options.