

# 2-HORSE STRAIGHT LOAD

Bumper Pull

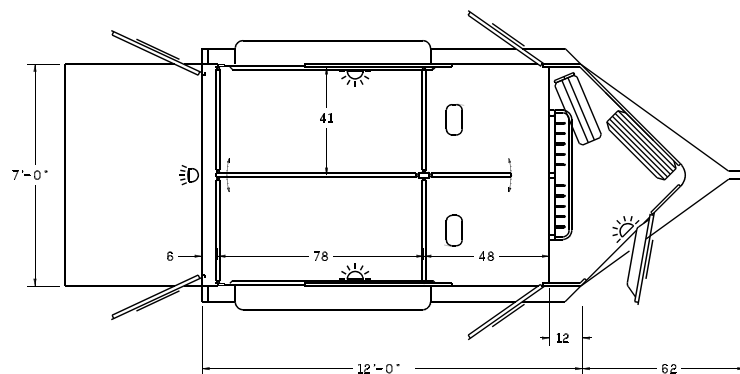


The removable divider in this Thoroughbred trailer is pinned to the removable post at the head shield and held in place at the rear by the butt bars. When the butt bars are un-pinned, the divider swings out of the way for easy loading.

Ask us about our stress-reducing 'Quiet Ride' option which reduces interior noise dramatically and makes relocating the dividers as easy as opening a door. Unlike conventional latches comprised of metal pins and receivers that rattle with every bump, the 'Quiet Ride' component system uses spring loaded tapered cones which lock into a funnel shaped keepers. This design does not allow the components to move relative to each other thereby eliminating noise caused by parts rattling.



- Rubber Lined Walls in Horse Compartment
- Two-Way Roof Vent Per Horse
- 2 Trailer Ties Per Horse - Inside & Outside
- Divider W/Swinging Head Shield Pinned To Removable Post At Head
- Feed Bag Per Horse
- 4 Breast/Butt Bars
- 3 Dome Lights
- Saddle Rack Per Horse - On Removable Post
- 10 Bridle Hooks
- 2 Brush Trays
- 1 Blanket Bar
- High Turn Signals
- Halogen Load Light
- L.E.D. Lighting
- Custom Graphics



## STANDARD FEATURES

- 12'-0" L x 7'-0" H x 7'-0" W
- 3500# Tandem Torsion Axles
- Five 6 Ply Radial Trailer Tires
- Electric Brakes
- 15" Aluminum Wheels
- 2 5/16" Bull Dog Coupler
- Pad Type Jack
- Pre-Painted White Aluminum Exterior
- Dressing Room Approx. 18 Sq. Ft.
- Polished Cast Corner Cap
- Dressing Room Door W/ Window
- 2 Walk-Through , Doors w/Window
- Slider Hip Window At Each Horse
- Rear Ramp w/Dutch Doors w/ Windows
- Permanent Bulkhead Wall
- Smooth Ribbed Aluminum Floor
- Floor Mats Full Length Horse Compartment
- Insulated & Double Walled - Head/ Hip of Horse

## POPULAR OPTIONS

- Quiet Ride Components
- Additional Height and/or Length
- Hayrack
- Black, Silver, Champaign or Other Exterior Color
- WERM Flooring
- Removable Baby Panel
- Widths Up To 8'-6"

All 4-Star Trailers Come With Our

**8 YEAR WARRANTY**

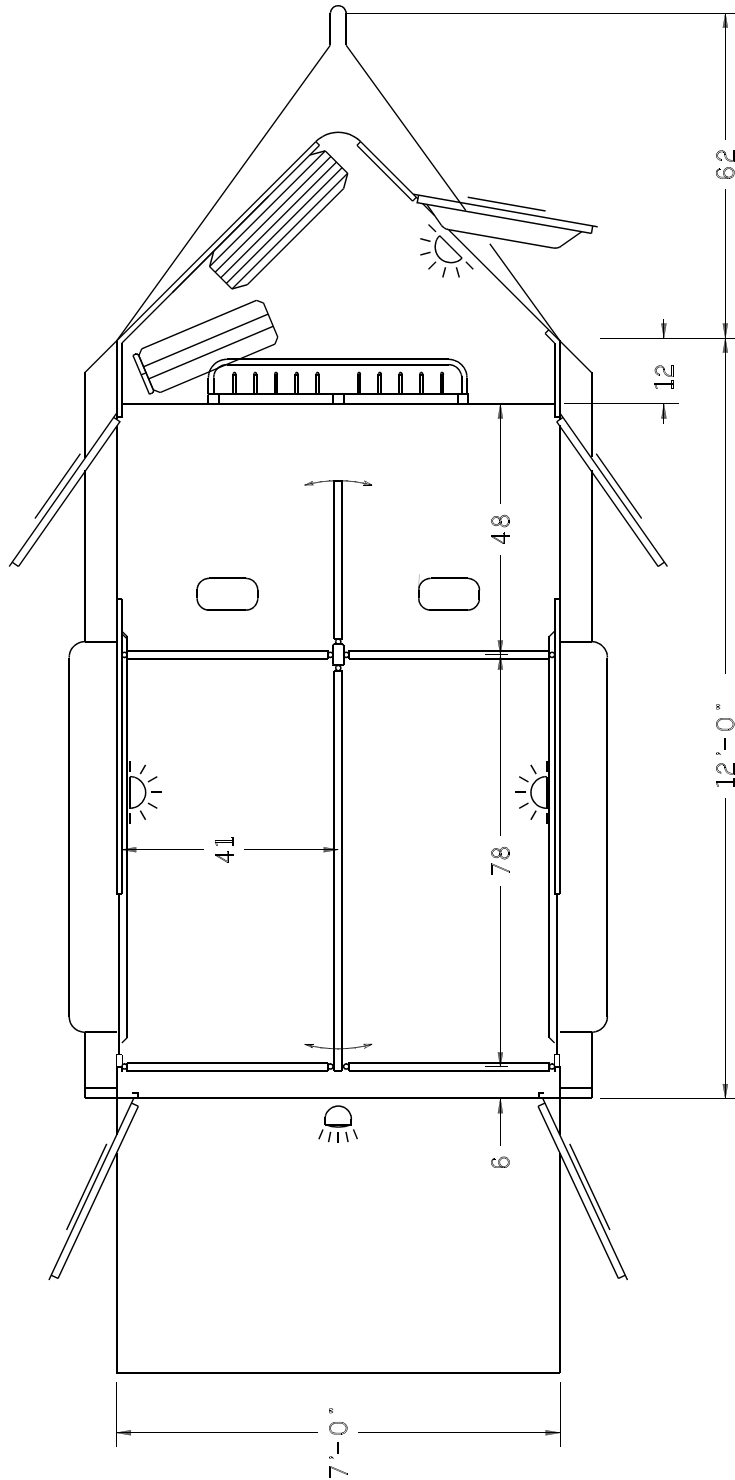


4-Star Trailers, Inc.  
10,000 N.W. 10<sup>th</sup> St. Oklahoma City, Ok 73127  
800-848-3095 • www.4startrailers.com

All dimensions are approximate. Photos may show options.

# 2-HORSE STRAIGHT LOAD

Bumper Pull



10,000 N.W. 10<sup>th</sup> St. Oklahoma City, Ok 73127  
800-848-3095 • [www.4startrailers.com](http://www.4startrailers.com)  
All dimensions are approximate. Photos may show options.