

# 2-HORSE STRAIGHT LOAD

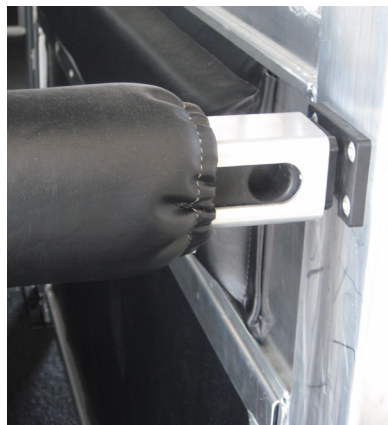
## GOOSENECK



The class of the industry! That's what we hear from our customers whenever our Straight Load trailers are the subject of conversation. The center load models, also called 'Head to Head', have floor plans that are extremely versatile. The dividers are moveable and removable. With the addition of alternate settings, the dividers can be moved to form box stalls. Our 'Quiet Ride' option reduces interior noise dramatically and makes relocating the dividers as easy as opening a door. Unlike conventional latches comprised of metal pins and receivers that rattle with every bump, the 'Quiet Ride' component system uses spring loaded tapered cones which lock into a funnel shaped keepers. This design does not allow the components to move relative to each other thereby eliminating noise caused by parts rattling.



- Rubber Lined Walls in Horse Compartment
- Removable, Swinging Divider w/ Withers Shield & Swinging Head Shield Pinned To Removable Post at Head
- 2 Two-Way Roof Vents
- 2 Trailer Ties Per Horse - Inside/ Outside
- Feed Bag Per Horse
- 2 Breast Bars
- 2 Butt Bars
- 4 Dome Lights
- 2 Saddle Racks on Removable Post
- 10 Bridle Hooks
- 2 Brush Trays
- 1 Blanket Bar
- High Turn Signals
- Halogen Load Light
- L.E.D. Lighting
- Custom Graphics
- D.O.T. Tape



Quiet Ride Breast Bar



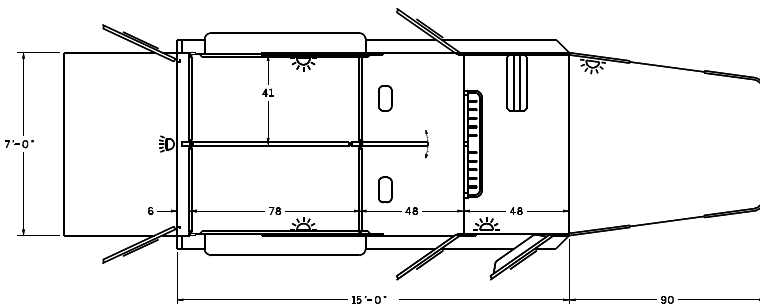
Conventional Breast Bar

### STANDARD FEATURES

- 7'-0" Height x 7'-0"W x 15'-0"L
- 2 - 3500# Torsion Axles w/ Electric Brakes
- Five 6 Ply Radial Trailer Tires
- 15" Aluminum Wheels
- 2 5/16" Adjustable Coupler
- Single Drop Leg
- Removable Jack Handle
- Tapered Gooseneck w/ Windows
- Polished Cast Corner Caps
- Pre-Painted White Exterior On Smooth Aluminum
- 4' Dressing Room Approx. 27 Sq. Ft.
- Carpet on Dressing Room Floor, Gooseneck Floor And Drop
- Dressing Room Door w/ Window
- Two Front Walk-Thru Doors w/ Windows
- Hip Window Each Horse
- Rear Ramp w/ Dutch Doors w/ Windows
- Permanent Bulkhead Wall
- Smooth Ribbed Aluminum Floor
- Floor Mats Full Length Horse Compartment
- Insulated & Double Walled on Sides of Horse Compartment

### POPULAR OPTIONS

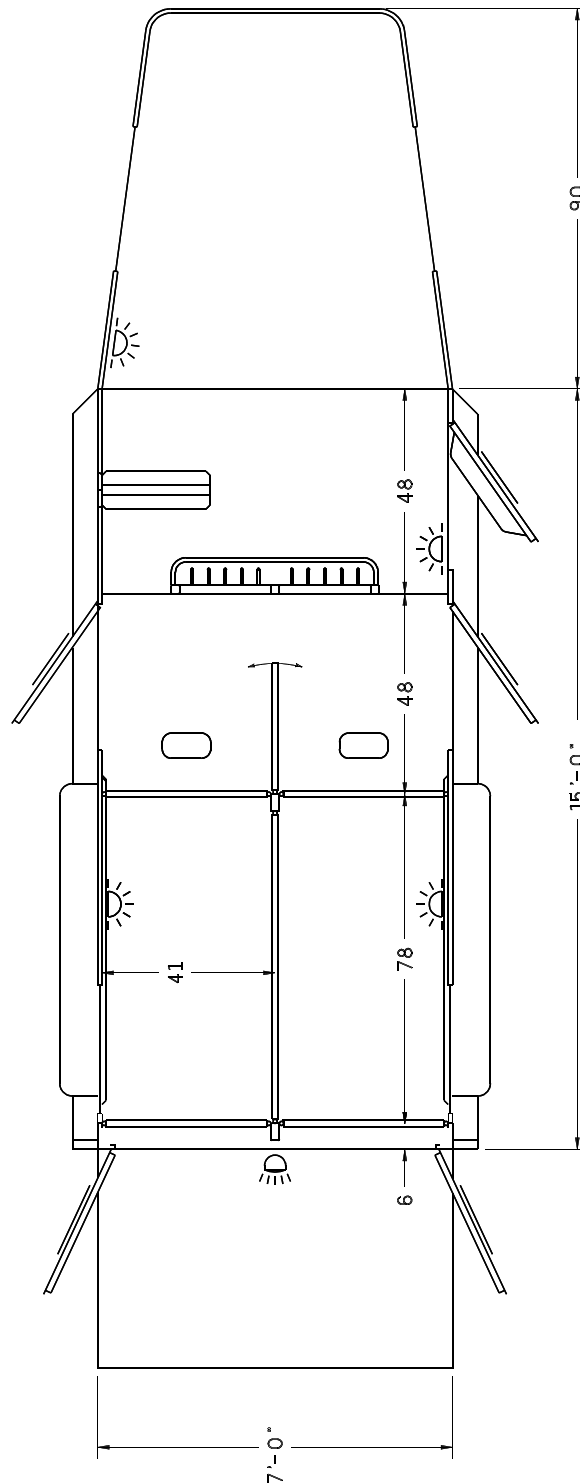
- Quiet Ride Components
- Larger Window Sizes
- Hay Rack
- Polished Top Rail and/or Slats
- Luna Dome Roof Vent
- Additional Height
- Lengths Up To 44'
- Widths Up To 8'-6"
- Carpet Bulkhead Wall
- Stainless Steel On Nose
- WERM Flooring



All 4-Star Trailers Come With Our  
**8 YEAR WARRANTY**

4-Star Trailers, Inc.  
10,000 N.W. 10<sup>th</sup> St. Oklahoma City, Ok 73127  
800-848-3095 • www.4startrailers.com  
All dimensions are approximate. Photos may show options.

# 2-HORSE STRAIGHT LOAD GOOSENECK



4-Star Trailers, Inc.  
10,000 N.W. 10<sup>th</sup> St. Oklahoma City, Ok 73127  
800-848-3095 • [www.4startrailers.com](http://www.4startrailers.com)  
All dimensions are approximate. Photos may show options.